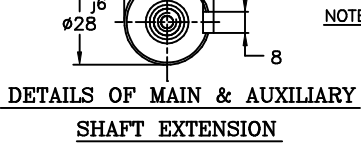
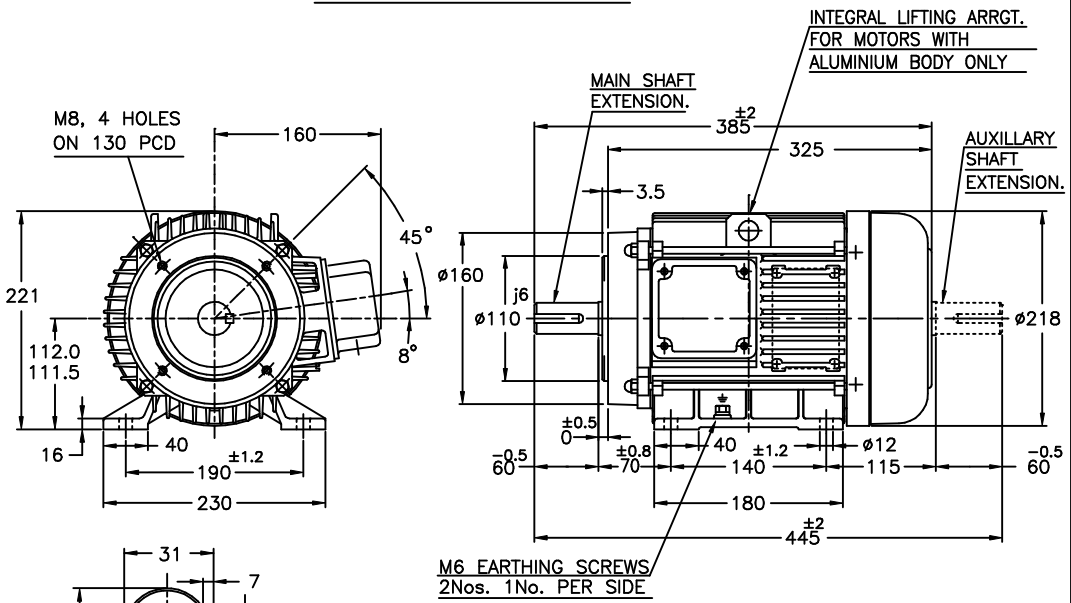


UNMENTIONED TOLERANCES

LINEAR DIMENSIONS(SUPTO (MACHINED))	ABOVE 0	6	315	1000
(MACHINED)TOL.	±0.2	±0.5	±0.8	±1.2
ANGLES	± 1/2°			

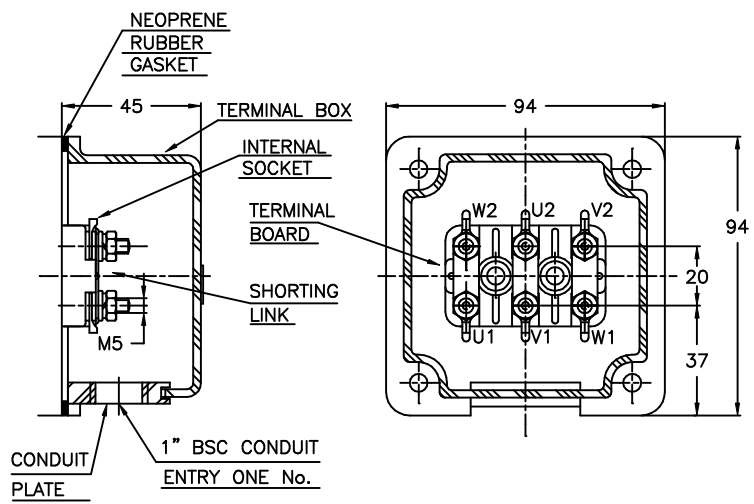
ALL INFORMATION CONTAINED IN THIS DOCUMENT IS CONFIDENTIAL AND THE PROPERTY OF KIRLOSKAR ELECTRIC CO.LTD. REPRODUCING OF THESE IN ANY FORM IS TO BE DONE WITH THE SPECIFIC PERMISSION OF THE COMPANY.

DIMENSIONAL DRAWING



- NOTE :
1. DIMENSIONS ARE AS PER IS:1231 & 2223
 2. DEGREE OF PROTECTION: IP:55.
 3. PROTECTED CENTRE HOLE AT SHAFT EXTENSION AS PER IS:2540. "M10 X 24" FOR 'D' - ø28
 4. TERMINAL BOX CAN BE ROTATABLE THROUGH 360° IN STEPS OF 90°.
 5. KEY & KEYWAY ARE AS PER IS:2048 & TOLERANCE ON KEYWAY IS P9.

TERMINAL BOX ARRANGEMENT



NOTE: MAX. CABLE SIZE : MAIN-1x3Cx16 sqmm.

SURFACE ROUGHNESS (MAX) AS PER KSD-02-027

50	2.5	25	1.6	3.2	6.3	0.2	0.4	0.8	0.025	0.05	0.1
OLD	NEW	✓	✓	✓	✓	✓	✓	✓	✓	✓	✓

UC: UNMENTIONED

1	-	0122209	REDRAWN IN A NEW FORMAT.	Sd/-	10/01/09	QA PRODUCTION MKTG
REV.	ZONE	DCN.No.	BRIEF RECORD	SIGNATURE	DATE	PRINTS ISSUED TO
8	7	6	5			

Z122618100JR

THIS SUPERSEDES FROM dt AS PER DCN No.....		THIS SUPERSEDED BY FROM dt AS PER DCN No.....	
MATERIAL SPECIFICATION	RAW MATERIAL SIZE	WEIGHT kg	
-	-	RM FIN.	
CASTING/FAB REF. _____		No.P.S.: _____	SCALE NTS
USED ON	REDRAWN	CHECKED	STANDARD
FCPM112M	sd/-	sd/-	sd/-
TITLE:	dt10/01/09	dt10/01/09	dt10/01/09
DIMENSION SHEET			
SHEET ONE OF ONE			32261898R1
KIRLOSKAR ELECTRIC COMPANY LTD. HUBLI-580030 (INDIA)			

FORM No. 02 201 02B (ISSUE 7)